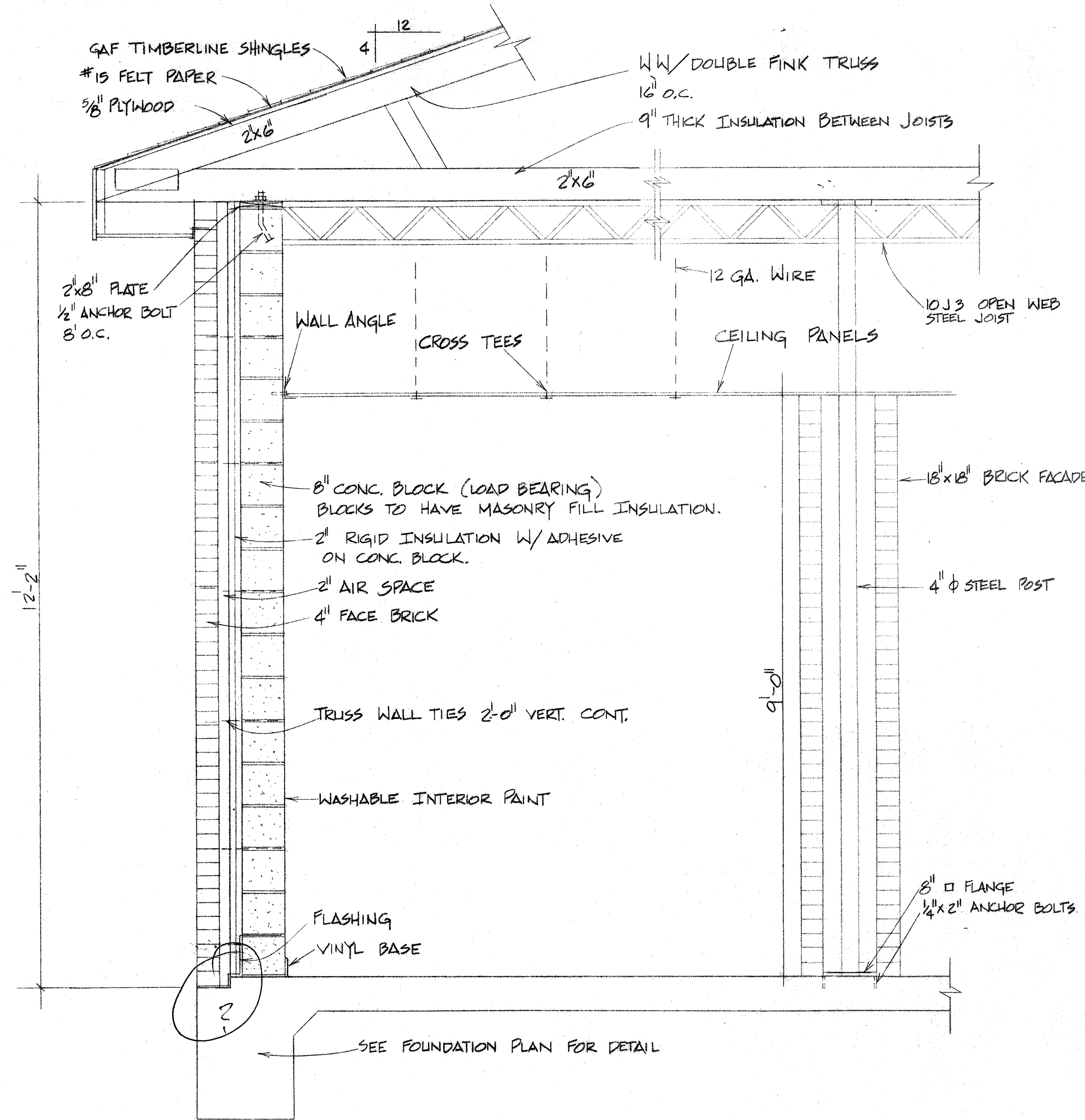
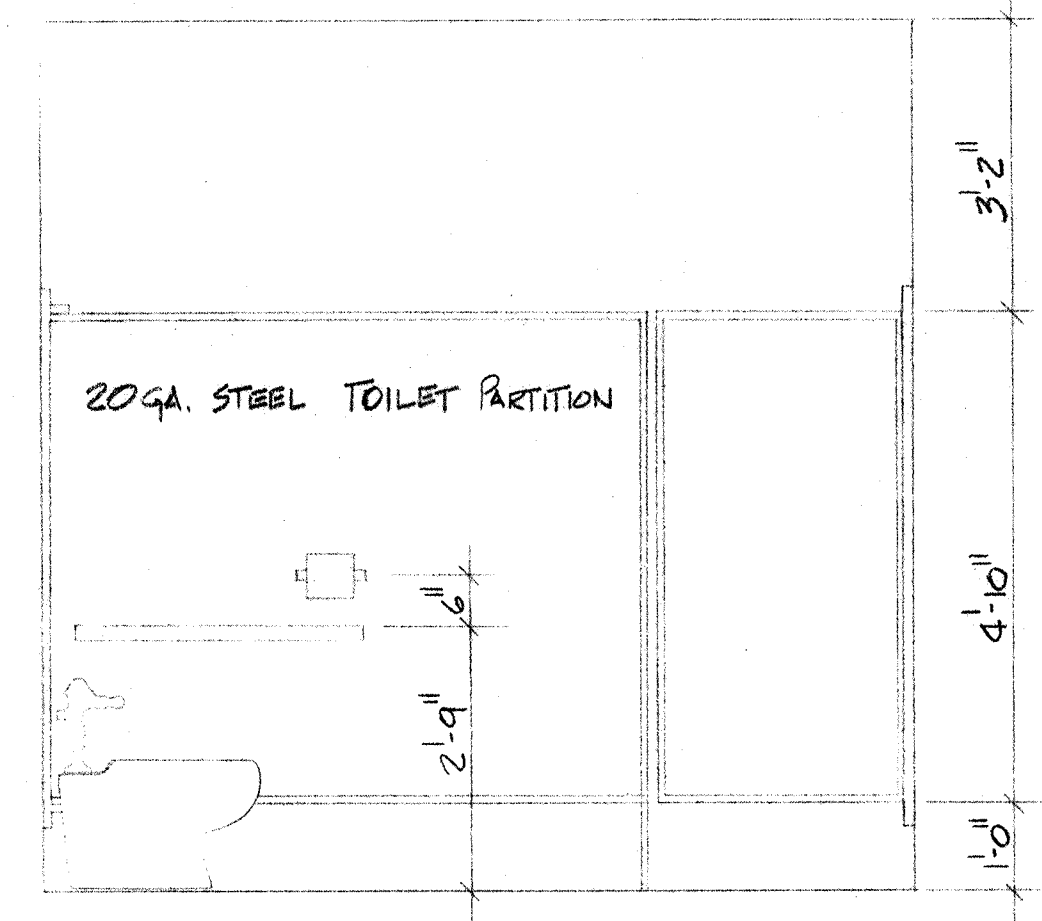


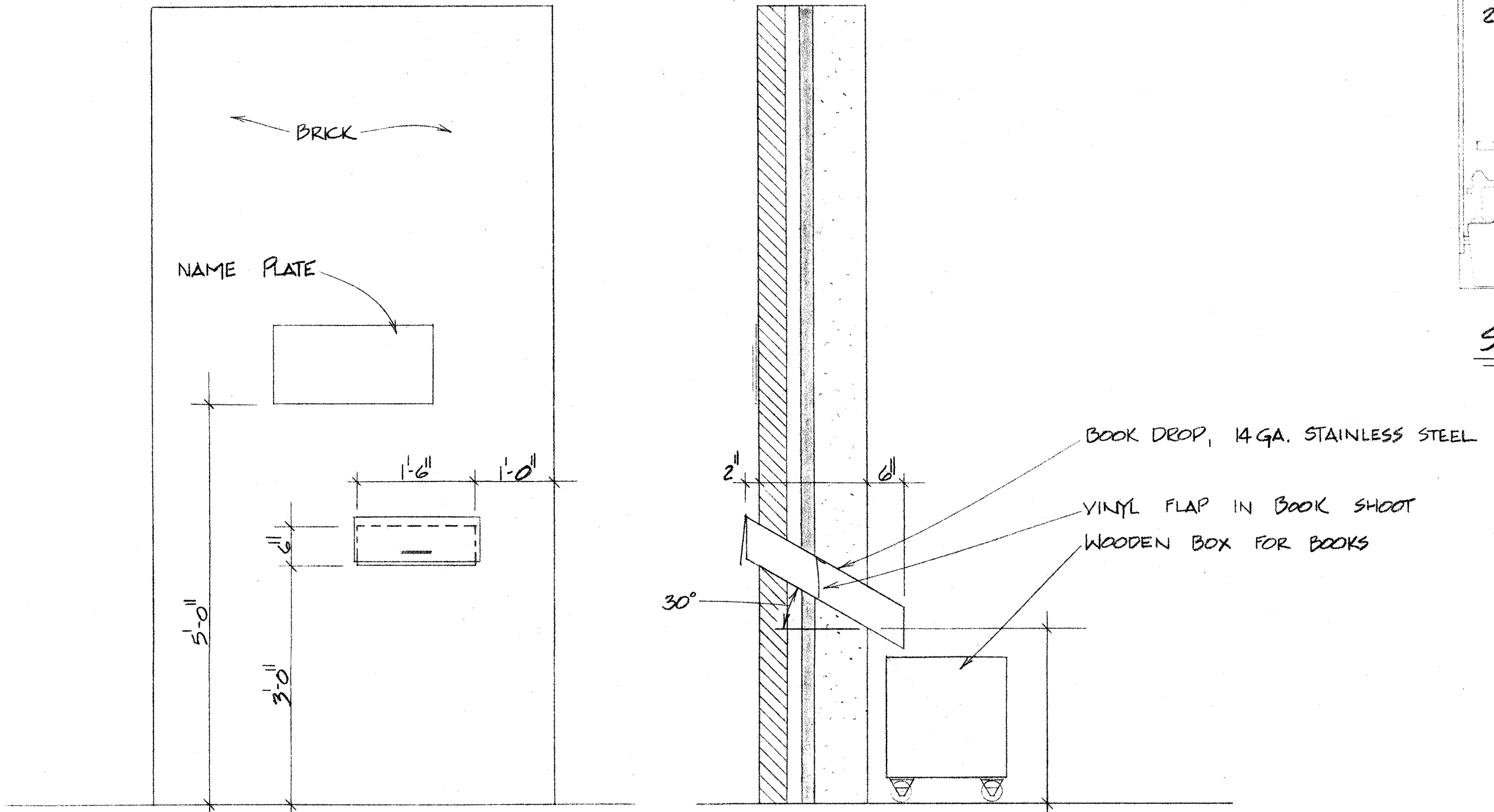
SECTION - SOUTH WALL SCALE - 3/4" = 1'-0"



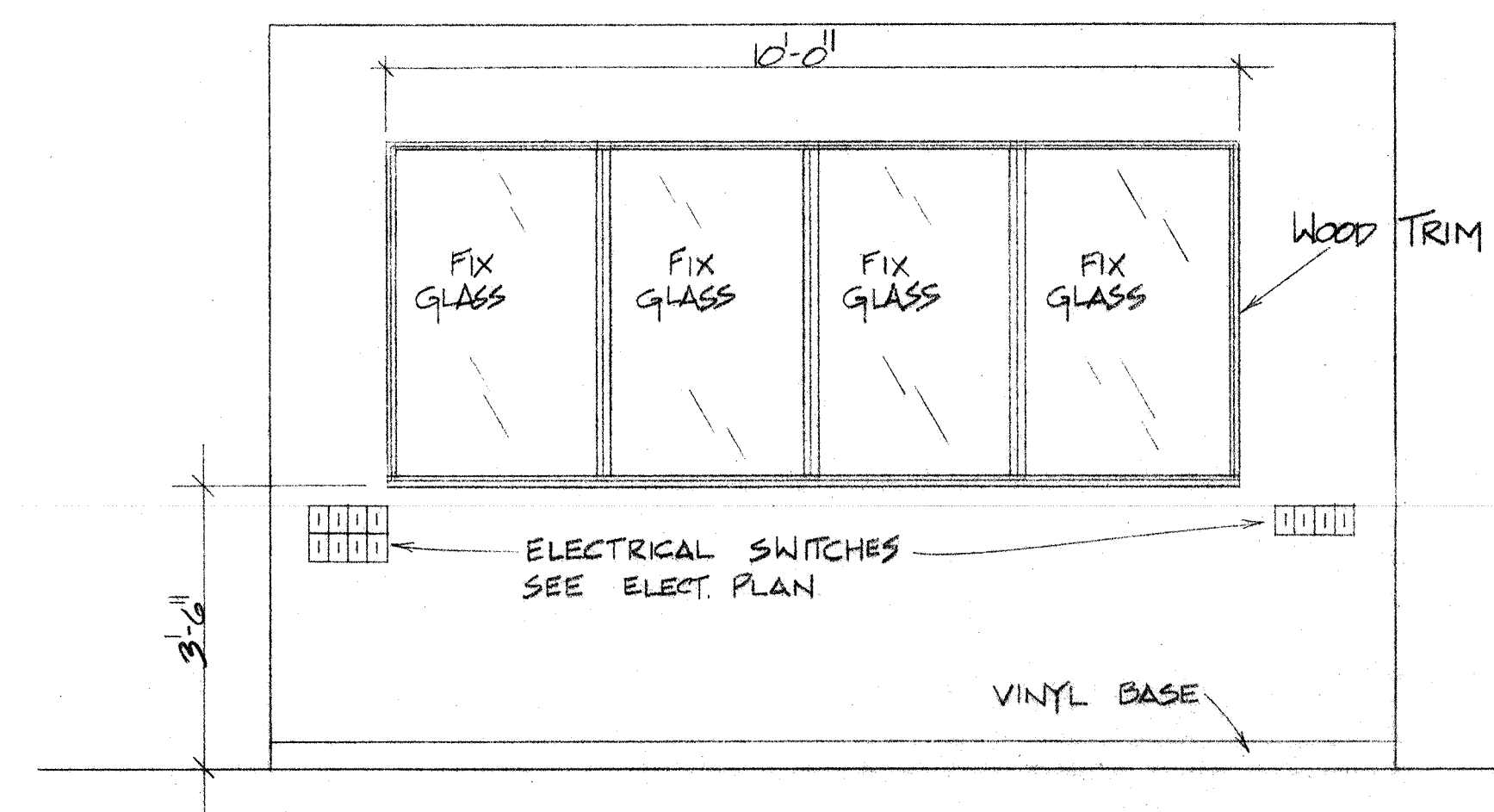
SECTION - 4 SCALE 3/4" = 1'-0"



SECTION - 3 SCALE - 1/2" = 1'-0"



BOOK DROP - 2 SCALE 3/4" = 1'-0"



OFFICE WALL SCALE 1/2" = 1'-0"

EVERY ATTEMPT HAS BEEN MADE IN PREPARATION OF THESE PLANS TO COMPLY WITH THE OWNERS SPECIFICATIONS AND TO AVOID MISTAKES IN THE DRAWINGS AND SPECS. HOWEVER, CONTRACTOR AND/OR OWNER SHALL VERIFY ALL DIMENSIONS, DETAILS AND SPECS. DESIGNER WILL NOT BE LIABLE FOR HUMAN ERROR AFTER CONSTRUCTION IS STARTED.